

Royal Exclusiv pumps & skimmers

Royal Exclusiv USA, LLC. // 6360 Corporate Park Circle, Units 10+11 // Fort Myers, FL 33966

phone +01 - 239 689 - 4306 // fax +01 - 239 689 - 4403
info@royalexclusiv.com // www.royalexclusiv.com



Data sheet and list of spare parts for Bubble King® Double Cone 150

For all Bubble King® Double Cone protein skimmer 150

vs14

USA



Data sheet for protein skimmer Bubble King® Double Cone 150

Protein skimmer Bubble King® Double Cone 150
for aquariums up to 95 gallons

Product no.: 507 **857.93 \$**

Skimmer-series Bubble King® Double Cone for aquarium-grounds. For internal installation in filter-systems. Suitable for particularly gentle, effective, and dry skimming.

Technical data Bubble King® Double Cone 150:

165 gph Air - 211 gph Water = 1 pump Mini Red Dragon 600
with Ozon - plug
Baseplate: 7.67" x 9.65" / height ~ 19.69"

Skimmer-pump: Mini Red Dragon 600
Delivery rate: 165 gph Air inlet ~ 211 gph Water inlet
Wattage - active power: P = 18 Watt/h
Operating voltage: 110 Volt 60 Hz (also in 230V/50Hz available)
Protection class: IP 68
Water level: ~ 5.91" up to ~ 7.87"
Weight skimmer: 5 kg inclusiv pump



Dimension skimmer without pump:

7.67" wide / 9.56" length / ~ 19.69" height

Dimension skimmer with pump (90 ° to torque tube):

8.66" wide / 12.60" length / ~ 19.69" height

Dimension skimmer with pump (compared with torque tube):

8.66" mm wide / 15.35" length / ~ 19.69" height

Height silicon outlet (cleanout) ~ 12.60"

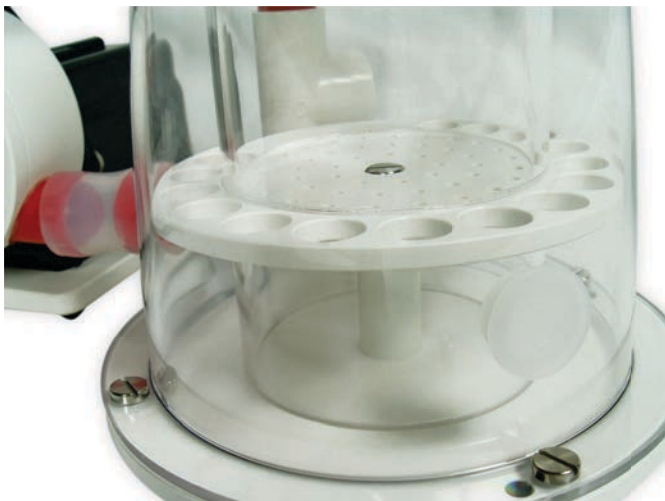
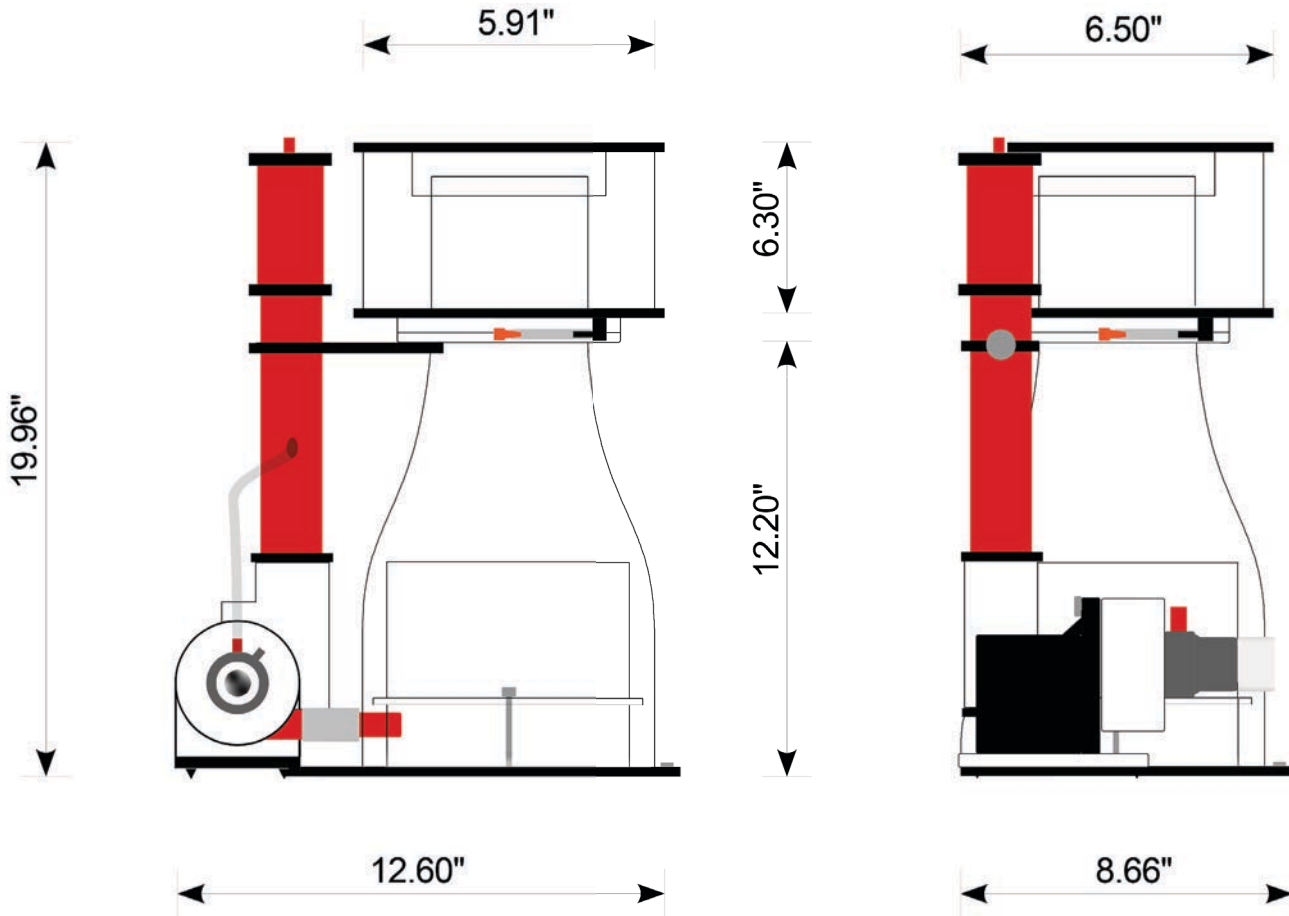


For more information, please visit www.royalexclusiv.com. Simply enter the part number or name into the search box or email: info@royalexclusiv.com.

All information subject to change. We try our best, but printing errors reserved.

Protein skimmer Bubble King® Double Cone 150

Product no.: 507



For more information, please visit www.royalexclusiv.com. Simply enter the part number or name into the search box or email: info@royalexclusiv.com.
All information subject to change. We try our best, but printing errors reserved.



Protein skimmer Bubble King® Double Cone 150

Product no.: 507

| <i>list of spare parts</i> | <i>product no. (110V)</i> | <i>(230V)</i> | <i>Price</i> |
|--|---------------------------|---------------|--------------|
| resonator single PVC Ø diameter 50mm/nute 40mm | 290/DC/150 | 290/DC/150 | 33.96 \$ |
| silikon-outlet (cleanout) | 298 | 298 | 31.05 \$ |
| lid complete | 309 | 309 | 85.94 \$ |
| cup with connection incl. silicon outlet (cleanout) | 379 | 379 | 274.43 \$ |
| silicon O-ring 60 x 2,5mm for stand pipe | 172 | 172 | 5.27 \$ |
| silicon O-ring 90 x 2,5mm for cup screw connection | 338 | 338 | 7.14 \$ |
| silicon air-hose 9x3mm 400mm length | 185-5 | 185-5 | 12.78 \$ |
| ozon tube 8x1 red 275mm | 308-1 | 308-1 | 9.98 \$ |
| torque tube Ø 32mm PVC red / 300mm length | 409 | 409 | 28.42 \$ |
| T-piece short Ø 32mm / 32 / 32 | 304 | 304 | 17.89 \$ |
| injection-ring acrylic-glass Ø 100mm / 55mm | 414 | 414 | 29.81 \$ |
| hole plate PVC 140/67 with acrylic glass-ring 100mm | 423 | 423 | 66.53 \$ |
| skimmer-body with connection/tube holder | 375 | 375 | 395.00 \$ |
| titan screw 6 x 16mm for injection pan | 183-10 | 183-10 | 5.42 \$ |
| titan screw 6 x 10mm for baseplate | 183-9 | 183-9 | 4.99 \$ |
| plastic screw 6 x 16mm locking screw for torque tube | 181-2 | 181-2 | 2.43 \$ |
| rubber feets 4 pieces | 180 | 180 | 5.54 \$ |
| silicon hose 9x3mm (price for one meter) | 185 | 185 | 25.65 \$ |
| baseplate PVC white 245 / 195mm | 396/150 | 396/150 | 127.51 \$ |
| skimmer-pump MRD 600 complete | 122/600/1 | 122/600/2 | 634.79 \$ |
| motor block MRD 600 with base plate | 140/1 | 140/2 | 255.02 \$ |
| pump head PVC 100 / 42 / 25 | 246 | 246 | 188.49 \$ |
| rotor complete with metal-shaft | 122/1-1 | 122/2-1 | 232.85 \$ |
| carbon-bearing with O-ring 1 pieces | 155 | 155 | 9.02 \$ |
| titan srew for pump head 3 pieces | 183-3 | 183-3 | 16.63 \$ |
| nozzle base part with ozon-connection | 269 | 269 | 22.60 \$ |
| nozzle 12mm | 271/150 | 271/150 | 26.40 \$ |
| silicon - hose Ø 22 / 45mm | 300 | 300 | 8.33 \$ |
| cover cap clear PVC for pump plug Ø23,4mm | 299 | 299 | 2.07 \$ |
| PVC pipe conection Ø 25mm red / 45mm length | 424 | 424 | 8.04 \$ |
| perbunan O-ring 65 x 4mm for pump head/motorblock | 171 | 171 | 5.54 \$ |

For the list of spare parts for Red Dragon® 3 skimmer pump see separate document.
Downloadable on our website under Red Dragon® 3 skimmer pump.

| <i>accessories</i> | <i>product no. (110V)</i> | <i>(230V)</i> | <i>Price</i> |
|--|---------------------------|---------------|--------------|
| add on resonator Ø 63mm | 999 | 999 | 44.35 \$ |
| PVC pipe clip Ø 63mm for wall and ceiling mounting | 930-63 | 930-63 | 9.02 \$ |
| resonator - inlay for add on resonator Ø 63mm | 294-1 | 294-1 | 8.18 \$ |
| resonator - inlay for skimmer Ø 50mm | 294-2 | 294-2 | 6.80 \$ |
| silicon grease tube 6g | 030/6 | 030/6 | 3.47 \$ |
| silicon grease tube 25g | 030/25 | 030/25 | 10.40 \$ |

For more information, please visit www.royalexclusiv.com. Simply enter the part number or name into the search box or email: info@royalexclusiv.com.

All information subject to change. We try our best, but printing errors reserved.

Protein skimmer Bubble King® Double Cone 150

Product no.: 507

Please replace the **x** with the appropriate number for the voltage of 110/230 Volt.

| | | | |
|---|---|--|---|
| <i>spare part</i> | <i>spare part</i> | <i>spare part</i> | <i>spare part</i> |
|  |  |  |  |
| resonator single PVC diameter Ø 50mm/nute 30mm 290/DC/150 33.96 \$ | silicon-outlet (cleanout) 298 31.05 \$ | lid complete 309 85.94 \$ | cup with connection incl. silicon outlet (cleanout) 379 274.43 \$ |
| <i>spare part</i> | <i>spare part</i> | <i>spare part</i> | <i>spare part</i> |
|  |  |  |  |
| silicon O-ring 60 x 2,5mm for stand pipe 172 5.27 \$ | silicon O-ring 90 x 2,5mm for cup screw connection 338 7.14 \$ | silicon air-hose 9x3mm 400mm long 185-5 12.78 \$ | ozon-hose 8x1mm 275mm long 308-1 9.98 \$ |
| <i>spare part</i> | <i>spare part</i> | <i>spare part</i> | <i>spare part</i> |
|  |  |  |  |
| torque tube Ø 32mm PVC red 409 28.42 \$ | T-piece short Ø 32mm 304 17.89 \$ | injection-ring acrylic-glass Ø 100mm / 55mm 414 29.81 \$ | hole plate PVC 140/67 with acrylic glass-ring 100mm 423 66.53 \$ |
| <i>spare part</i> | <i>spare part</i> | <i>spare part</i> | <i>spare part</i> |
|  |  |  |  |
| skimmer-body with connection/tube holder 375 395.00 \$ | titan screw 6 x 16mm for injection pan 183-10 5.42 \$ | titan screw 6 x 10mm for baseplate 183-9 4.99 \$ | plastic screw 6 x 16mm locking screw for torque tube 181-2 2.43 \$ |

For more information, please visit www.royalexclusiv.com. Simply enter the part number or name into the search box or email: info@royalexclusiv.com.

All information subject to change. We try our best, but printing errors reserved.

Protein skimmer Bubble King® Double Cone 150

Product no.: 507

Please replace the **x** with the appropriate number for the voltage of 110/230 Volt.

| | | | |
|---|---|--|---|
| <p>spare part</p> | <p>spare part</p> | <p>spare part</p> | <p>spare part</p> |
|  |  |  |  |
| <p>rubber feet 4 pieces 180 5.54 \$</p> | <p>silicon hose 9x3mm (price for one meter) 185 25.65 \$</p> | <p>Base plate PVC white 245 / 195mm 396/150 127.51 \$</p> | <p>skimmer-pump MRD 600 complete 122/600/x 634.79 \$</p> |
| <p>spare part</p> | <p>spare part</p> | <p>spare part</p> | <p>spare part</p> |
|  |  |  |  |
| <p>motor block MRD 600 with base plate 140/x 255.02 \$</p> | <p>pump head PVC 100 / 42 / 25 246 188.49 \$</p> | <p>rotor complete with metal-shaft 122/x-1 232.85 \$</p> | <p>carbon-bearing with O-ring 1 pieces 155 9.02 \$</p> |
| <p>spare part</p> | <p>spare part</p> | <p>spare part</p> | <p>spare part</p> |
|  |  |  |  |
| <p>titan srew for pump head 3 pieces 183-3 16.63 \$</p> | <p>nozzle base part with ozon-connection 269 22.60 \$</p> | <p>nozzle 12mm 271/150 26.40 \$</p> | <p>silicon - hose Ø 22 / 45mm 300 8.33 \$</p> |
| <p>spare part</p> | <p>spare part</p> | <p>spare part</p> | <p>spare part</p> |
|  |  |  | |
| <p>cover cap red PVC for torque tube Ø40mm 299 2.07 \$</p> | <p>PVC pipe conection Ø 25mm 424 8.04 \$</p> | <p>perbunan O-ring 65 x 4mm for pump head/motorblock 171 5.54 \$</p> | |

For more information, please visit www.royalexclusiv.com. Simply enter the part number or name into the search box or email: info@royalexclusiv.com.

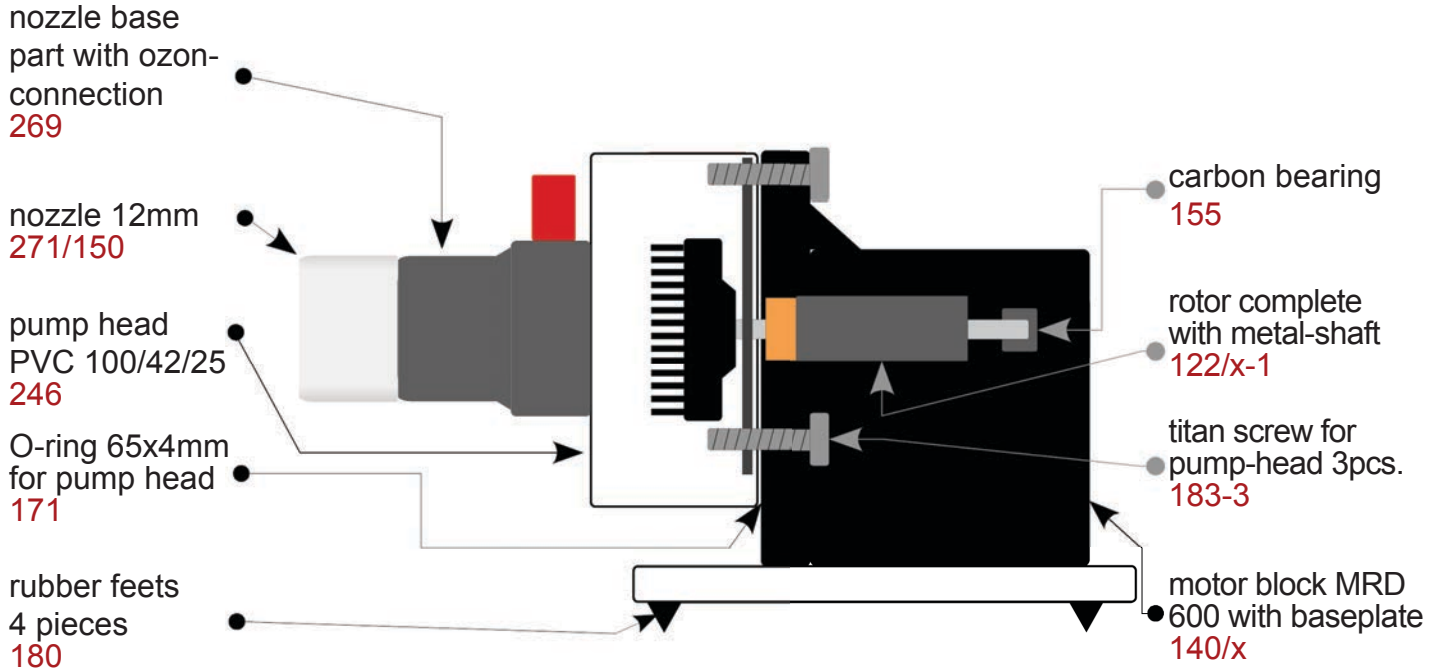
All information subject to change. We try our best, but printing errors reserved.

Protein skimmer Bubble King® Double Cone 150

Product no.: 507

Please replace the **x** with the appropriate number for the voltage of 110/230 Volt.

| accessories | accessories | accessories | accessories |
|---|---|--|---|
|  |  |  |  |
| add on resonator Ø 63mm 999 | PVC pipe clip Ø 63mm for wall and ceiling mounting 930-63 | resonator - inlay 294-1 | silicon grease tube 6g 030-6 |
| 44.35 \$ | 9.02 \$ | 8.18 \$ | 3.47 \$ |



For more information, please visit www.royalexclusiv.com. Simply enter the part number or name into the search box or email: info@royalexclusiv.com.

All information subject to change. We try our best, but printing errors reserved.

Protein skimmer Bubble King® Double Cone 150

Product no.: 507

Please replace the **x** with the appropriate number for the voltage of 110/230 Volt.

lid complete 150
309

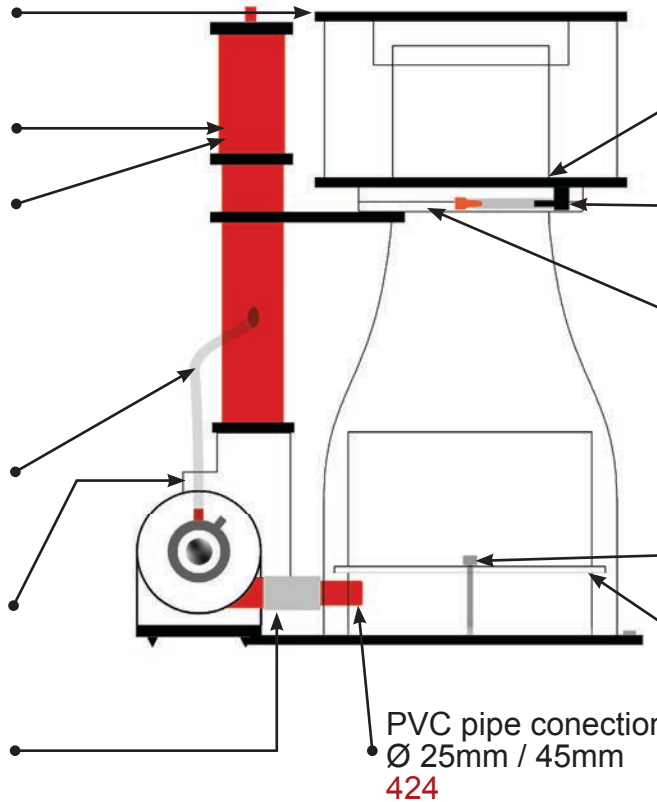
resonator single
PVC Ø50mm
290/DC/150

resonator - inlay
294-2

silicon hose 9x3mm
400mm long
185-5

T-piece short
Ø 32mm / 32 / 32
304

silicon - hose
Ø 22 / 45mm
300



silicon O-ring
80 x 2,5mm
for stand pipe
172

silikon-outlet
(cleanout)
298

silicon O-ring
90 x 2,5mm for cup
screw connection
338

titan screw
6x16mm for
injection pan
183-10

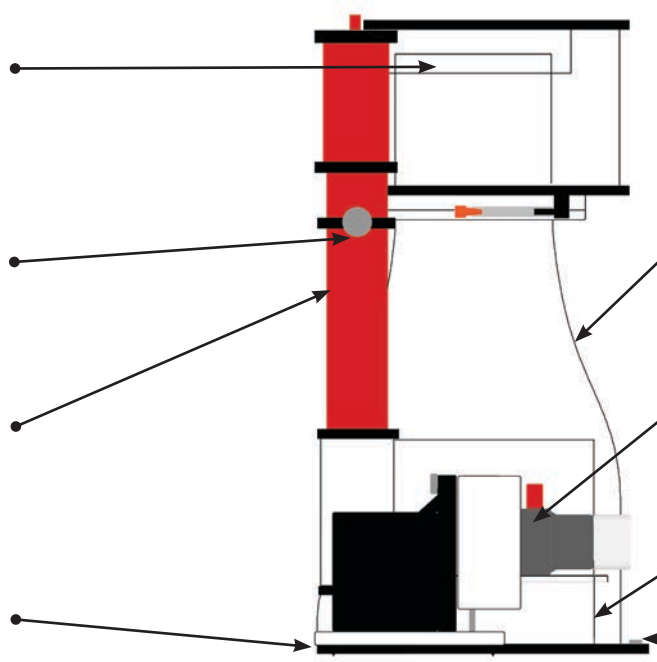
hole plate PVC
140/67 with acrylic
glass-ring 100mm
423

cup with connection
incl. silicon outlet
(cleanout)
379

plastic screw
6x16mm
for torque tube
181-2

torque tube
Ø 32mm PVC red
409

baseplate PVC
white 245/195mm
396/150



skimmer-body
with with connec-
tion/tube holder
375

skimmer-pump
MRD 700
complete
122/600/x

injection-ring
acrylic-glass
Ø 100mm / 55mm
414

titan screw
6x10mm for
baseplate
183-9

For more information, please visit www.royalexclusiv.com. Simply enter the part number or name into the search box or email: info@royalexclusiv.com.

All information subject to change. We try our best, but printing errors reserved.